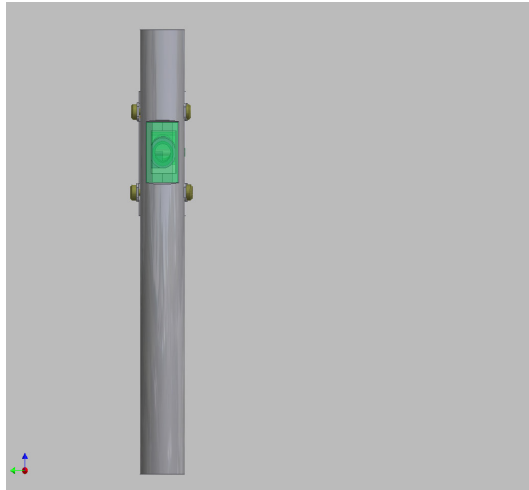
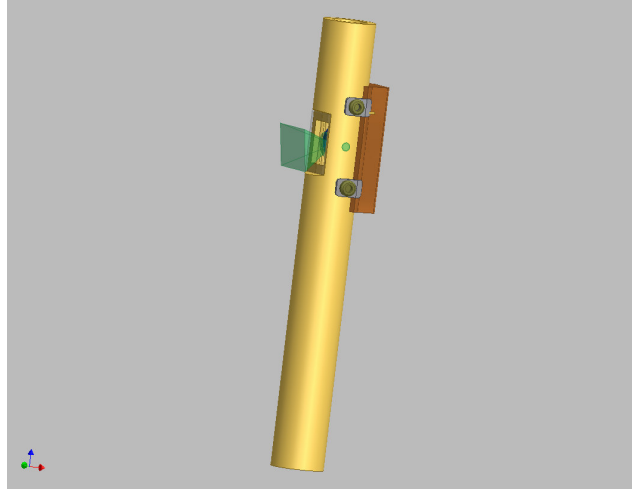


V8459-xx-xx Pole Mounted Colour CMOS Camera

Front view



Isometric view



The pole section shown here is 8in long.

Description

Designed for Traffic-Survey use, the V8459 camera provides relatively high resolution colour images from a small CMOS module located in 32mm dia pipe.

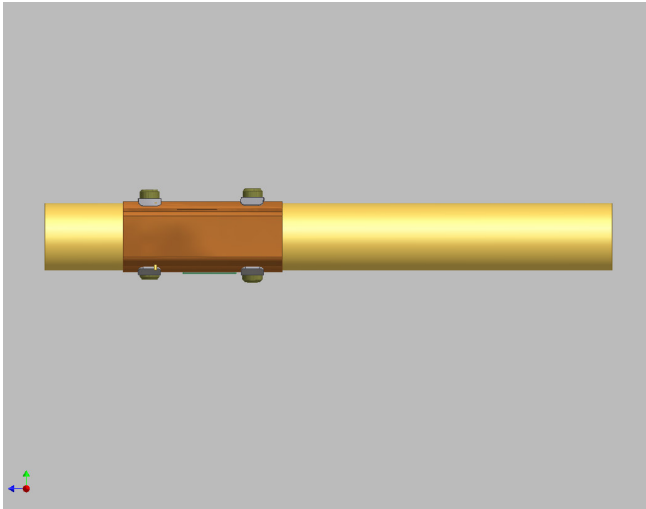
Specification:

| | |
|--------------------|---|
| No Pixels: | 628 x 582, PAL |
| Sync: | Internal |
| Resolution | 380 TVlines |
| S/Noise ratio | 48dB |
| Min illum | 3 lux at f1.2 |
| Electronic Shutter | 1/50 to 1/15000 |
| Lens | 3.6mm 92 deg, f2.0 (approx 75 deg. At Centre) |
| Working temp | -10 to 45deg. C |
| Storage temp | -30 to 60C |
| Power | 12Vdc, 50mA max. |
| Module dims | 17 x 17 x 28mm incl. lens |

Adjustments:

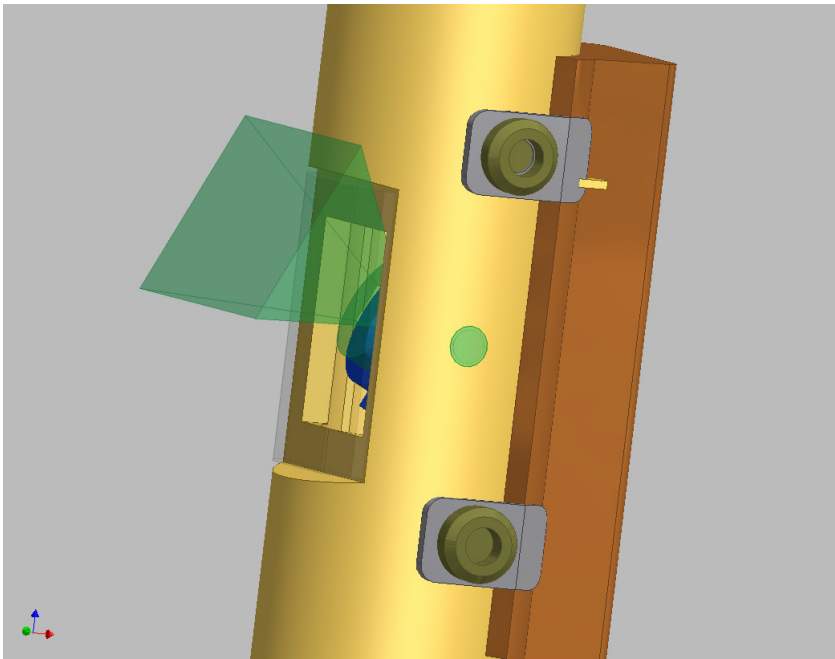
The camera viewing angle can be tilted by approximately + or - 30 degrees from the vertical to allow for varying kerb heights and pole locations relative to the road. This is achieved by slackening off 4 locking screws retaining the rear cover plate (fig 3). The angle is adjusted by sliding the cover plate up and down until the required angle

is set. The locking screws will then hold the camera in position while maintaining a seal between the cover and pole.



Rear view

The sliding cover is approx. 70 mm in length and will be same colour as the pole.



Close-up view showing lens field of view in green

Copyright 2005 Vision Engineering Services Ltd.

Supplied by: [Vision Engineering Services Ltd. UK](#)
Phone/Fax: 44-1252-674941
Email: enquiries@ves-eng.co.uk
Web: www.ves-eng.co.uk