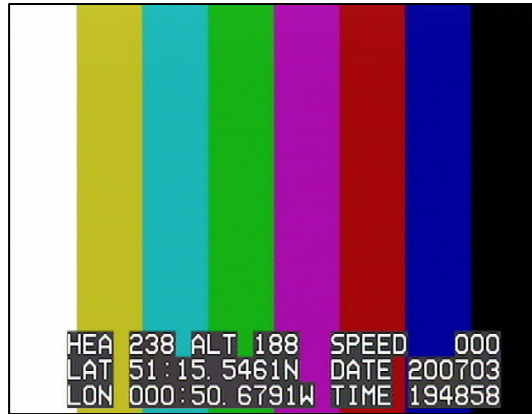
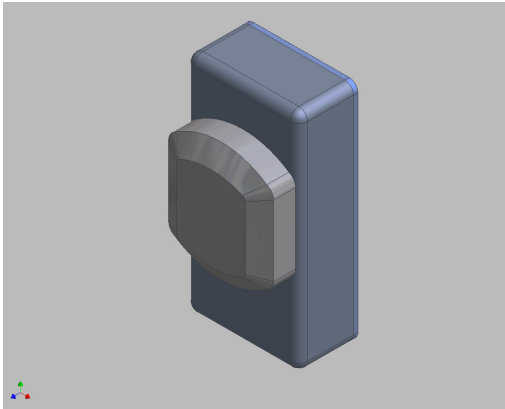


PRODUCT DESCRIPTION

V8438 GPS DATA OVERLAY UNIT



DESCRIPTION:

The V8438 GPS OVERLAY UNIT is based on the Ves V8415 Multi-function Module which has been successfully used in a range of video display applications from traffic flow analysis displays to control system Menu display units for use in submarines. In its basic form, the module provides as a minimum:

- ❑ Text + simple graphics overlay 28 x 11 lines, multiple colour, 4 zoom ranges, with display routines available to extract required text from an incoming serial data stream
- ❑ CVBS or Y/C Outputs available
- ❑ SerialRS232 input/output for control and/or display purposes
- ❑ 8 bit uncommitted general purpose parallel port

Version V8438-01 uses a Sirfstar 1 12 channel GPS module and active antenna for the overlay of position, heading, speed, date and time onto the video signal before recording or transmission. A typical display is shown above. V8438-02 uses a Fastrax module with improved performance, smaller size and lower power consumption. For automatic map tracking V8439 daughter board can be attached to the underside using the existing I/O connectors. This takes the GPS data and generates teletext-like data on unused video lines, allowing Video Modem V8443 to automatically extract the data as a serial signal at the receiver. The signal may be fed to standard mapping software accepting NMEA position data.

Basic Specification:

Supply:	5V +-10%
Current:	nominal 150mA, 0.75W including antenna at full power. Options include trickle mode power to obtain current reduction to 50mA min.
Video Input:	Composite PAL/NTSC mono or colour 1V pk-pk +-20%
Input impedance:	75 ohm
Video output:	Composite PAL/NTSC mono or colour 1V pk-pk +-20% into 75 ohm
Text/Graphics overlay:	3 lines, 28 chars per line,
Data Displayed:	Heading, Altitude Metres, Speed Kn. Latitude: DD:MM.mmmm, N/S Longitude : DDD :MM.mmmm, E/W Date, Time HHMMSS
Data Availability:	Cold Start: < 55secs, Hot start 2-8 secs.
Data Format:	NMEA-0183
Character colours	100% White over transparent or black background
Special effects:	Control over: char. background, border, blinking, blinking rate, duty cycle
Display modes:	mixed video + text
Dimensions:	V8438-01 in housing V8488: 103 x 52 x 27 excl. antenna V8438-02 in housing 70 x 43 x 20 with SA1 installed
	Antenna type SM66: 55 x 50 x 14.5
	Antenna type SA1: external : 13 dia x 30 long Internal : 13 x 25 x 8

Copyright 2005 Ves Ltd.

Designed and Manufactured by :
Vision Engineering Services Ltd. UK
Phone/Fax: 44-1252-674941
Email: enquiries@ves-eng.co.uk
Web: www.ves-eng.co.uk